

# Technical data sheet

Product features



## Stand with electric fan oven GN 1/1

|              |                                  |             |
|--------------|----------------------------------|-------------|
| <b>Model</b> | <b>SAP Code</b>                  | 00013668    |
| MFV-98ET     | <b>A group of articles - web</b> | Accessories |



- Material: AISI 304
- Width of internal part [mm]: 530
- Depth of internal part [mm]: 360
- Height of internal part [mm]: 340

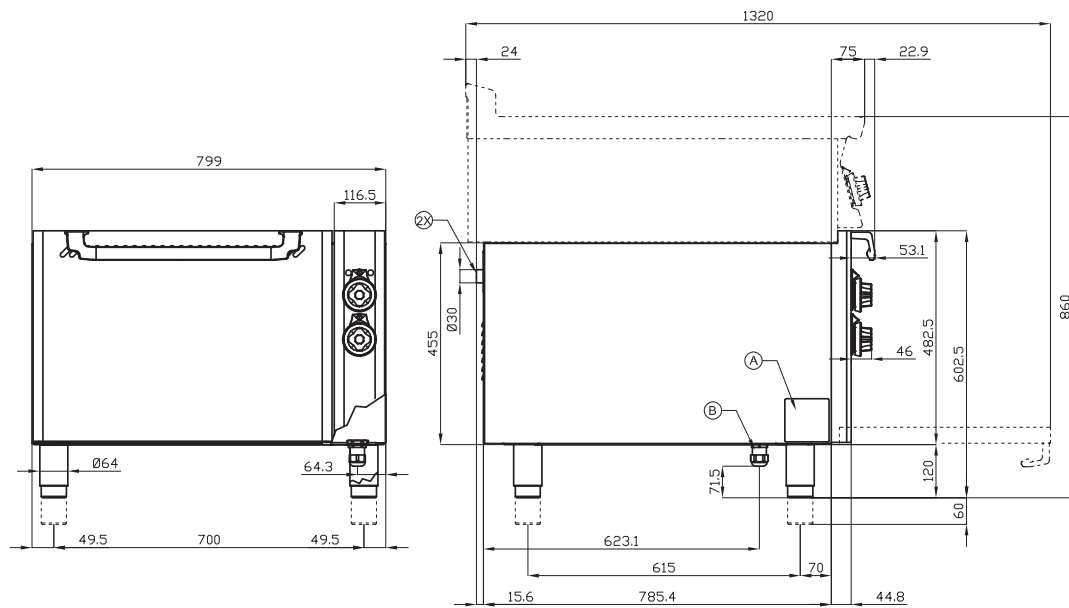
# Technical data sheet

Technical drawing



## Stand with electric fan oven GN 1/1

|              |                                  |             |
|--------------|----------------------------------|-------------|
| <b>Model</b> | <b>SAP Code</b>                  | 00013668    |
| MFV-98ET     | <b>A group of articles - web</b> | Accessories |



|   |            |  |   |                       |  |
|---|------------|--|---|-----------------------|--|
| A | Data plate |  | B | Electrical connection |  |
|---|------------|--|---|-----------------------|--|

# Technical data sheet

Technical parameters



## Stand with electric fan oven GN 1/1

|              |                                  |             |
|--------------|----------------------------------|-------------|
| <b>Model</b> | <b>SAP Code</b>                  | 00013668    |
| MFV-98ET     | <b>A group of articles - web</b> | Accessories |

**1. SAP Code:**

00013668

**2. Net Width [mm]:**

800

**3. Net Depth [mm]:**

830

**4. Net Height [mm]:**

570

**5. Net Weight [kg]:**

70.00

**6. Gross Width [mm]:**

830

**7. Gross depth [mm]:**

970

**8. Gross Height [mm]:**

770

**9. Gross Weight [kg]:**

80.00

**10. Material:**

AISI 304

**11. Width of internal part [mm]:**

530

**12. Depth of internal part [mm]:**

360

**13. Height of internal part [mm]:**

340

**14. Adjustable feet:**

Yes

**15. Exterior color of the device:**

Stainless steel

**16. Device heating type:**

Hot air

**17. Indicators:**

running and heating the oven

**18. Type of internal part of the appliance 1 (eg oven):**

Electric

**19. Type of internal part of the appliance 2 (eg oven):**

Hot air

**20. Loading:**

400 V / 3N - 50 Hz

**21. Oven material:**

Stainless steel

**22. Oven size:**

GN 1/1

**23. Oven Type:**

electric hot air

**24. Power electric [kW]:**

5.320

**25. Recommended accessories:**

00013669

**26. Safety thermostat:**

Yes

**27. Construction type of device:**

Stationary

**28. Worktop type:**

Molded - comfortable cleaning maintenance

# Technical data sheet

Technical parameters



## Stand with electric fan oven GN 1/1

|              |                                  |             |
|--------------|----------------------------------|-------------|
| <b>Model</b> | <b>SAP Code</b>                  | 00013668    |
| MFV-98ET     | <b>A group of articles - web</b> | Accessories |

### 29. Cross-section of conductors CU [mm<sup>2</sup>]:

1